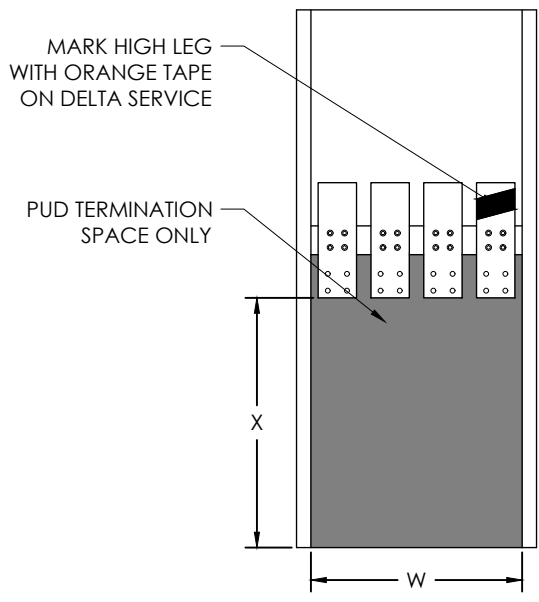
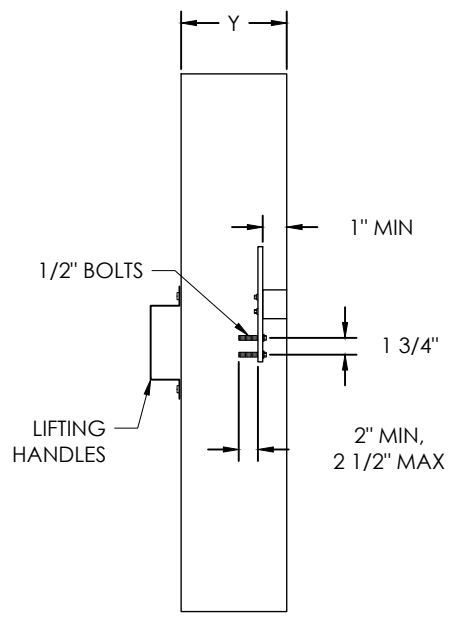


TOP VIEW



FRONT VIEW



SIDE VIEW

Notes:

- A. The enclosure shall be EUSERC 343 compliant.
- B. Terminating facilities shall be EUSERC 347 compliant and secured to prevent rotation or bus misalignment.
- C. Enclosure covers shall be removable, sealable, and provided with two lifting handles.
- D. Terminating facilities for service supply conductors shall be two 1/2" steel bolts. One set of bolts shall be provided for terminations rated up to 400 A, two sets of bolts for terminations rated 401 - 800 A, and three sets of bolts for terminations rated 801 - 1200 A.
- E. If the sum of customer service section ampacity ratings exceeds the pulling section ampacity rating, the customer will be responsible for providing NEC approved load calculations.

MINIMUM PULLBOX DIMENSIONS				
SERVICE AMPACITY	W (3 WIRE)	W (4 WIRE)	Y	X
0 - 400	10 1/2"	14"	6"	22"
401 - 800	16 1/2"	22"	11"	26"
801 - 1200	22 1/2"	30"	11"	26"

	STANDARDS		CONSTRUCTION STANDARDS		REV	DATE	DESCRIPTION
	ELECTRICAL SERVICE REQUIREMENTS				0	2/23/26	Initial release
PULL & TERMINATION ENCLOSURE, 1200A MAX				Designed	Checked	Standards Approved	Std/Dwg No.
				M. Demos	D. Tuominen		8-90