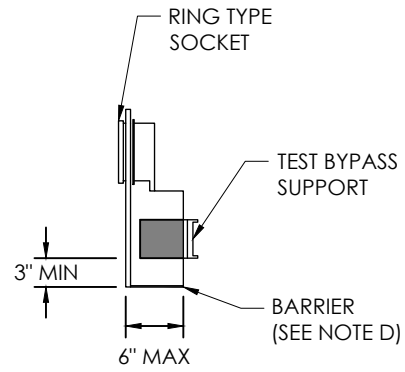
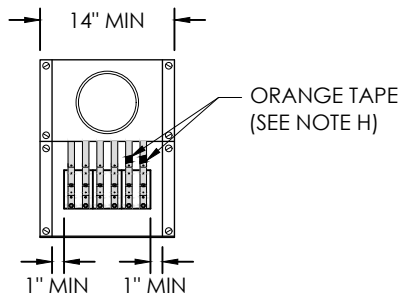


DUAL UNIT, DIRECT CONNECT  
METER COMPARTMENT



DIRECT CONNECT  
METER COMPARTMENT



SINGLE UNIT, DIRECT CONNECT  
METER COMPARTMENT

NOTES

- A. All switchboard meter compartments shall be EUSERC 306 compliant.
- B. Meter sockets shall be ring type and rigidly mounted on a support attached to the meter panel.
- C. All direct connect meter sockets shall have factory installed safety socket type test bypass blocks with rigid insulating barriers compliant to EUSERC 311/312.
- D. A factory-installed insulating barrier shall be provided at the bottom of each test bypass compartment. In addition, an isolating barrier shall be provided below the bottom test bypass compartments and above the load terminals of the meter disconnect devices. These barriers must span the full width and depth of the compartment, abutting any wireways.
- E. Meter panels shall be removable and sealable, with a maximum of two meters per panel.
- F. Test bypass block covers shall be removable, sealable, and fitted with a lifting handle.
- G. Each meter panel in a multi-unit metering section shall have a permanently engraved metal or hard plastic label with a minimum 3/8" high letters to identify the unit service address. A permanent lettered or numbered address must be placed on each corresponding main door entrance before power is connected if permanent door and siding has already been installed. Otherwise, clearly identified temporary lettering or numbers must identify each unit.
- H. Any 3 phase, 4 wire delta service shall identify the right hand test bypass block as the high (power) leg. The high leg shall be identified with orange tape.

**STANDARDS**



**PUBLIC UTILITY DISTRICT NO. 1**  
Cowlitz County, Washington  
961 12th Avenue  
Longview, Washington

**CONSTRUCTION STANDARDS  
ELECTRICAL SERVICE REQUIREMENTS  
DIRECT CONNECT METER COMPARTMENT**

Designed: M. Demos  
Checked: D. Tuominen  
Standards Approved: *[Signature]*

REV	DATE	DESCRIPTION
0	2/23/26	Initial release

Std/Dwg No. **8-130**