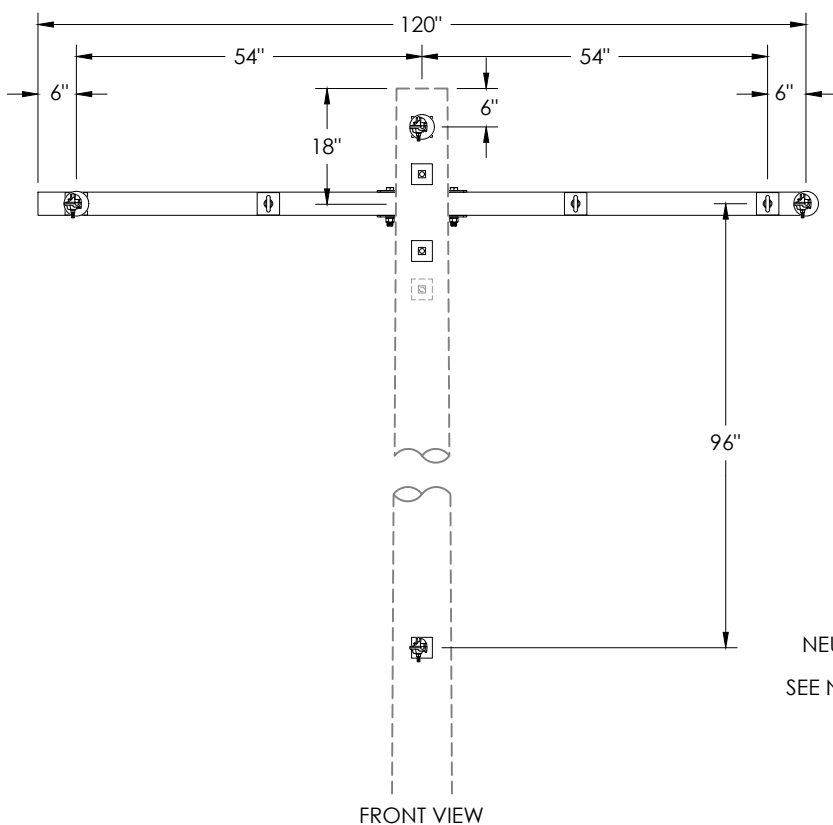


MAXIMUM SPAN LENGTHS	
2 AAAC	450'
123 AAAC (1/0 Eq)	
1/0 AAC Tree Wire	
246 AAAC (4/0 Eq)	
394 AAAC	
397 AAC Tree Wire	
652 AAAC	
927 AAAC	

SEE NOTE 1

TOP VIEW



FRONT VIEW

SIDE VIEW

TYP. GUY LOCATION

NEUTRAL
SEE NOTE 1

Notes:

1. Select deadend connector (Item 8) based on phase and neutral conductor size.
2. Maximum span lengths are based on the required clearance between conductors, and assume a level span. Contact Standards for other needed conductors or span lengths.
3. Adjust bolt lengths as necessary.

ITEM	QTY	ITEM #	MATERIAL DESCRIPTION	AU #
1	1	105212	Crossarm, FG, 10', 4-5/8" x 3-5/8", deadend, with hardware	930602
2	3	195501	Insulator, 15kV, polymer, suspension, 15kip, clevis-eye	
3	1	120362	Bolt, eye, 3/4" x 12", with square nut	
4	2	120432	Bolt, machine, 3/4" x 12", with square nut	
5	4	350120	Washer, square curved, 3" x 3", 13/16" hole	
6	1	120312	Bolt, eye, 5/8" x 12", with square nut	
7	2	350110	Washer, square curved, 3" x 3", 11/16" hole	
8	4	292313	Connector, deadend, automatic, for 2 AAAC	933046
		292316	Connector, deadend, automatic, for 123 AAAC, 1/0 AAC Tree Wire	933047
		140772	Clamp, deadend, bolted, side opening, for 246 AAAC, 394 AAAC, 397 Tree Wire	933048
		140775	Clamp, deadend, bolted, side opening, for 652 AAAC, 927 AAAC	933049

	STANDARDS		CONSTRUCTION STANDARDS		<table border="1"> <thead> <tr> <th>REV</th> <th>DATE</th> <th>DESCRIPTION</th> </tr> </thead> <tbody> <tr> <td>0</td> <td>09/29/25</td> <td>Initial release</td> </tr> </tbody> </table>	REV	DATE	DESCRIPTION	0	09/29/25	Initial release		
	REV	DATE	DESCRIPTION										
0	09/29/25	Initial release											
PUBLIC UTILITY DISTRICT NO. 1 Cowlitz County, Washington 961 12th Avenue Longview, Washington			3 PHASE OVERHEAD DISTRIBUTION SINGLE DEADEND, 10FT FG ARM		<table border="1"> <tr> <td>Designed</td> <td>Checked</td> <td>Standards Approved</td> <td>Std/Dwg No.</td> </tr> <tr> <td>D. Tuominen</td> <td>D. Thomas T. Walling</td> <td><i>[Signature]</i></td> <td>3-602</td> </tr> </table>	Designed	Checked	Standards Approved	Std/Dwg No.	D. Tuominen	D. Thomas T. Walling	<i>[Signature]</i>	3-602
Designed	Checked	Standards Approved	Std/Dwg No.										
D. Tuominen	D. Thomas T. Walling	<i>[Signature]</i>	3-602										