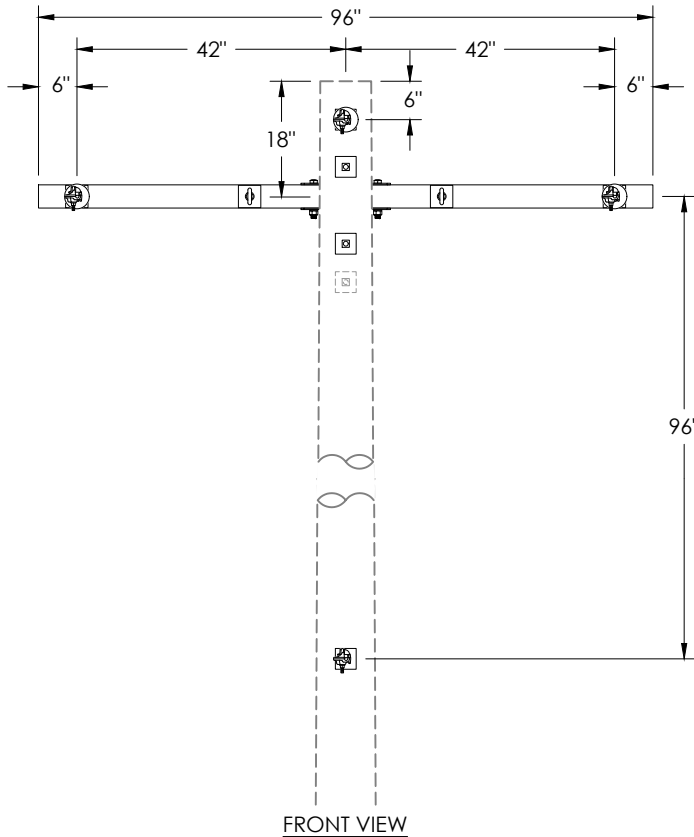
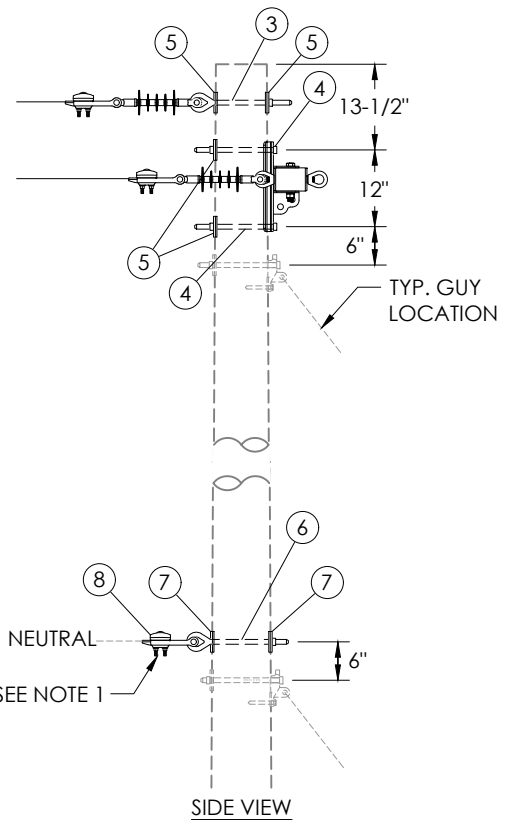


SEE NOTE 1  
TOP VIEW

| MAXIMUM SPAN LENGTHS |      |
|----------------------|------|
| 2 AAAC               | 450' |
| 123 AAAC (1/0 Eq)    |      |
| 1/0 AAC Tree Wire    |      |
| 246 AAAC (4/0 Eq)    |      |
| 394 AAAC             |      |
| 397 AAC Tree Wire    |      |
| 652 AAAC             |      |
| 927 AAAC             |      |



FRONT VIEW



SIDE VIEW

Notes:

1. Select deadend connector (Item 8) based on phase and neutral conductor size.
2. Maximum span lengths are based on the required clearance between conductors, and assume a level span. Contact Standards for other needed conductors or span lengths.
3. Adjust bolt lengths as necessary.

| ITEM | QTY | ITEM # | MATERIAL DESCRIPTION  | AU #   |
|------|-----|--------|---|--------|
| 1    | 1   | 105210 | Crossarm, FG, 8', 4-5/8" x 3-5/8", deadend, with hardware                   | 930601 |
| 2    | 3   | 195501 | Insulator, 15kV, polymer, suspension, 15kip, clevis-eye                     |        |
| 3    | 1   | 120362 | Bolt, eye, 3/4" x 12", with square nut                                      |        |
| 4    | 2   | 120432 | Bolt, machine, 3/4" x 12", with square nut                                  |        |
| 5    | 4   | 350120 | Washer, square curved, 3" x 3", 13/16" hole                                 |        |
| 6    | 1   | 120312 | Bolt, eye, 5/8" x 12", with square nut                                      |        |
| 7    | 2   | 350110 | Washer, square curved, 3" x 3", 11/16" hole                                 |        |
| 8    | 4   | 292313 | Connector, deadend, automatic, for 2 AAAC                                   | 933046 |
|      |     | 292316 | Connector, deadend, automatic, for 123 AAAC, 1/0 AAC Tree Wire              | 933047 |
|      |     | 140772 | Clamp, deadend, bolted, side opening, for 246 AAAC, 394 AAAC, 397 Tree Wire | 933048 |
|      |     | 140775 | Clamp, deadend, bolted, side opening, for 652 AAAC, 927 AAAC                | 933049 |

|                         |   |                                    |                               |  |     |                             |                 |
|-------------------------|---|------------------------------------|-------------------------------|--|-----|-----------------------------|-----------------|
|                         | <b>STANDARDS</b>  |                                    | <b>CONSTRUCTION STANDARDS</b> |  | REV | DATE                        | DESCRIPTION     |
|                         | <b>3 PHASE OVERHEAD DISTRIBUTION<br/>SINGLE DEADEND, 8FT FG ARM</b> |                                    |                               |  | 0   | 09/29/25                    | Initial release |
| Designed<br>D. Tuominen |   | Checked<br>D. Thomas<br>T. Walling |                               | Standards Approved<br><i>[Signature]</i> |     | Std/Dwg No.<br><b>3-601</b> |                 |